

Product Datasheet

6-port Full Gigabit bt PoE Switch

B1-POE33064P-bt)



OVERVIEW

The B1-POE33064P-bt is an unmanaged gigabit bt PoE switch independently developed by ONV. It has 6*10/100/1000Base-T RJ45 ports. Port 1-4 can support bt POE and backward compatible with IEEE802.3af/at PoE standard. Single-port maximum output power is 90W. As a PoE power supply device, it can automatically detect and recognize the power-receiving equipment that meets the standard and supply power through the network cable. It provides stable and safe terminals for PTZ network domes, high-power wireless AP, high-power network multimedia speakers, and high-power POE lighting, etc. through a network cable to meet the network environment that needs high-density PoE power supply. It is suitable for hotels, campuses, parks, shopping malls, scenic spots, hospitals,, factory dormitory and small and medium-sized enterprise.

Unmanaged model, plug and play, no configuration, easy to use.

FEATURE

■ Gigabit access, Full-line speed forwarding

- ◇ Full-line speed and high-speed forwarding facilitates flexible networking for users and meets networking requirements in various scenarios;
- ◇ Support non-blocking wire-speed forwarding.
- ◇ Support full-duplex based on IEEE802.3x and half-duplex based on backpressure.

■ Smart PoE power supply function

- ◇ 4*10/100/1000Base-T RJ45 ports can support bt PoE power supply, meeting the demand for super high power PoE power supply in various scenarios.
- ◇ The maximum output power of single-port POE is 90W, and the backwards compatibility IEEE802.3af/at PoE power supply standard automatically identifies PoE devices for power supply without damaging non-PoE devices.
- ◇ Priority system for PoE port, it will supply power to the high priority level port first when the power budget is insufficient and avoid overwork of the device.

■ Stable and reliable

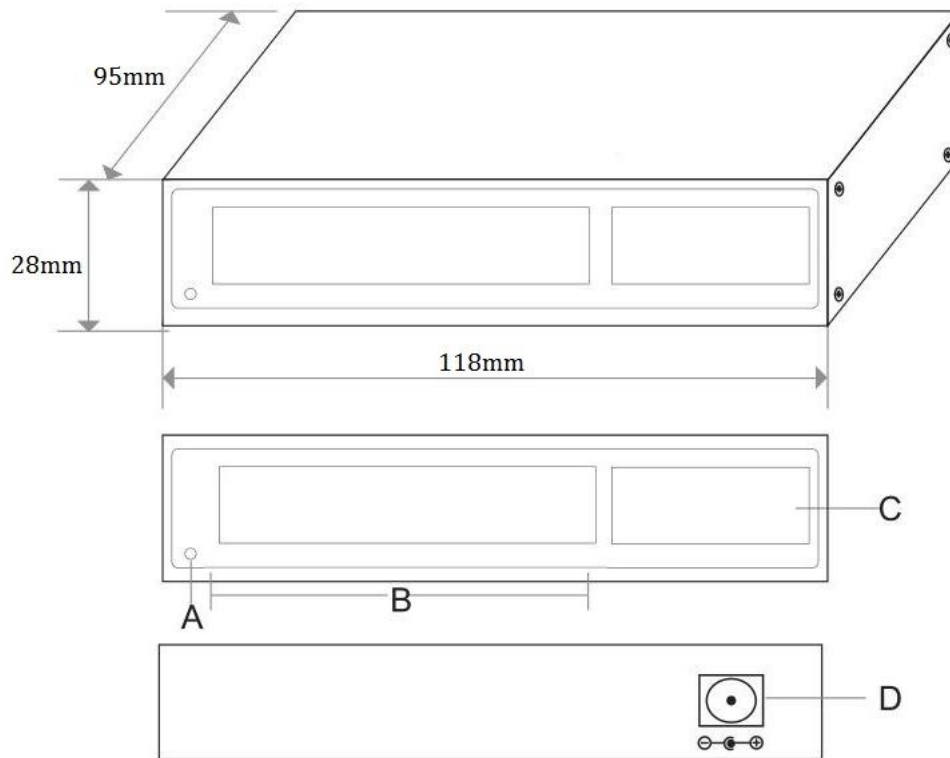
- ◇ CCC,CE, FCC, RoHS.
- ◇ Plug and play, no configuration, simple and convenient.
- ◇ Low power consumption, galvanized steel casing, No fan.
- ◇ Self-developed power supply, high redundancy design, providing a long term and stable PoE power output.
- ◇ The user-friendly panel can show the device status through the LED indicator of PWR, Link, PoE.

TECHNICAL SPECIFICATION

Model	B1-POE33064P-bt
Interface Characteristics	
Fixed Port	4*10/100/1000Base-T bt PoE ports (Data /Power) 2*10/100/1000Base-T uplink RJ45 ports (Data)
Ethernet Port	Port 1-6 can support 10/100/1000Base-T auto-sensing,full/half duplex MDI/MDI-X self-adaption
Twisted Pair Transmission	10BASE-T: Cat3,4,5 UTP(≤100 meter) 100BASE-TX: Cat5 or later UTP(≤100 meter) 1000BASE-T: Cat5e or later UTP(≤100 meter)
Chip Parameter	
Network Protocol	IEEE802.3 10BASE-T, IEEE802.3i 10Base-T IEEE802.3u 100Base-TX, IEEE802.3u 1000Base-T, IEEE802.3x
Forwarding Mode	Store and Forward(Full Wire Speed)
Switching Capacity	16Gbps (Non-blocking)
Forwarding Rate@64byte	8.93Mpps
MAC	8K
Buffer Memory	2M
Jumbo Frame	9.2K
LED Indicator	Power: PWR (Green), Network: Link (Yellow), PoE: PoE (Green)
PoE & Power Supply	
PoE Port	Port 1 to 4 @ bt POE and backward compatible with IEEE802.3af/at @ POE
Power Supply Pin	Default 1/2 (+), 3/6 (-), 4/5 (+), 7/8 (-)
Max Power Per Port	90W, IEEE802.3af/at/bt
Total PWR / Input	250W / (DC48-57V)

Voltage	
Power Consumption	Standby<6W, Full Load<240W
Input Voltage / Interface	DC48-57V/ DC5521 power supply terminal connected
Power Supply	External power adapter, AC100~240V 50-60Hz 4.1A
Physical Parameter	
Operation TEMP / Humidity	-20~+55°C, 5%~90% RH Non condensing
Storage TEMP / Humidity	-40~+75°C, 5%~95% RH Non condensing
Dimension (L*W*H)	118*95*28mm
Net /Gross Weight	<0.5kg /<1.2kg
Installation	Desktop, Wall-mounted
Certification & Warranty	
Lightning Protection	Lightning protection: 4KV 8/20us, Protection level: IP30
Certification	CCC, CE mark, commercial, CE/LVD EN60950, FCC Part 15 Class B, RoHS
Warranty	2years, lifelong maintenance.

DIMENSION



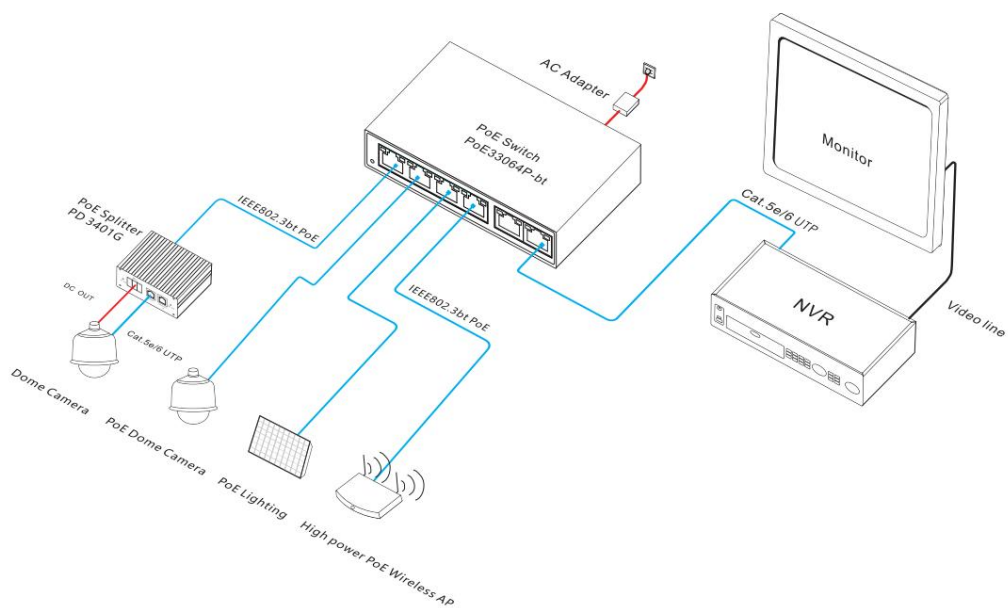
A. Working indicator

B. 4*10/100/1000M bt PoE ports

C. 2*10/100/1000M uplink RJ45 ports

D. DC48-57V power input port

APPLICATION



ORDERING INFORMATION

Model	Description	Configure Power Supply
B1-POE33064P-bt	Unmanaged bt PoE switch with 6*10/100/1000M RJ45 ports. Port 1-4 can support bt POE and backward compatible with IEEE802.3af/at PoE standard. External power supply.	250W

PACKING LIST

PACKING LIST	CONTENT	QTY	UNIT
	6-port full gigabit bt PoE switch	1	SET
	Power Adapter+AC Power Cable	1	SET
	Mounting Kits (Hanging Ear)	1	SET
	User Guide	1	PC
	Warranty Card	1	PC

RELATED PRODUCT

Model	Description
B1-POE31064P-bt	Unmanaged bt PoE switch with 6*10/100M RJ45 ports. Port 1-4 can support bt POE and backward compatible with IEEE802.3af/at PoE standard. External power supply.
ONV-POE31064PF-bt	Unmanaged bt PoE fiber switch with 4*10/100M RJ45 ports and 2*155M

	uplink SFP ports. Port 1-4 can support bt POE and backward compatible with IEEE802.3af/at PoE standard. External power supply.
B1-POE33064PF-bt	Unmanaged bt PoE fiber switch with 4*10/100/1000M RJ45 ports and 2*1000M uplink SFP ports. Port 1-4 can support bt POE and backward compatible with IEEE802.3af/at PoE standard. External 250W power supply.

